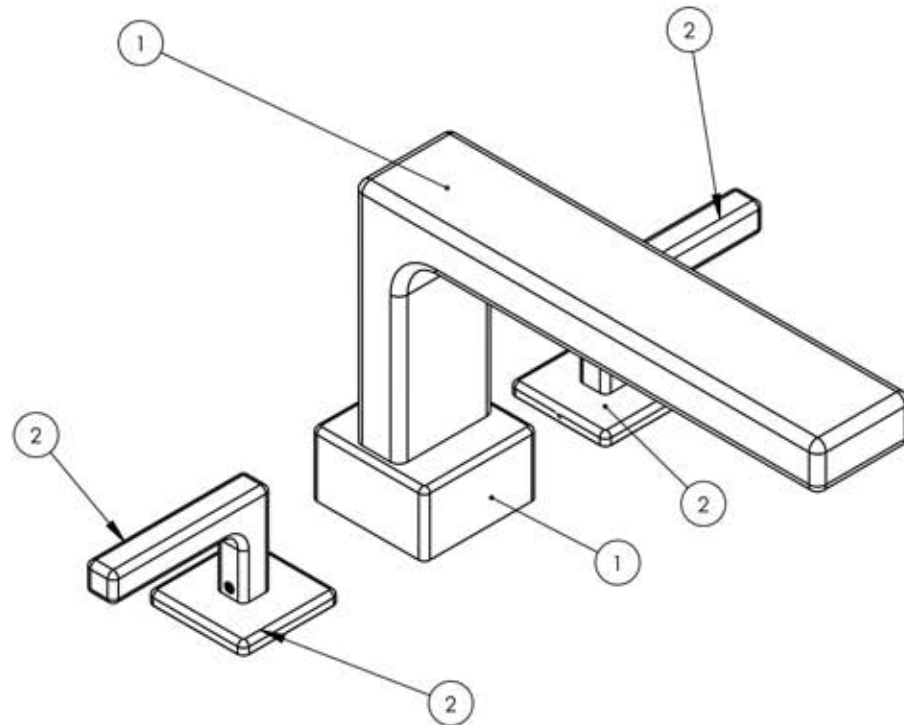


A

B

C

D



ITEM NO.	PART NUMBER	DESCRIPTION	QTY.
1	3-099	ASSEMBLY, SPOUT ROMAN TUB, LOW, MIX SERIES	1
	10949/00	SPOUT, DECK TUB 290 MIX	1
	11221/00	ESCUTCHEON, SPOUT MIX SERIES	1
	92158	DOWEL PIN, 1/8" X 3/8"L	2
	11220	SPUD SCREW, 1/2"-NPSM CONNECTOR	1
	90034	O-RING, 2-1/8"ID X 2-1/4"OD X 1/16"THK, AS-568-034	1
	90020	O-RING, 7/8"ID X 1"OD X 1/16"THK, AS-568-020	1
	P05051	AERATOR, CACHE COINED SLOT M24X1.0 FULL FLOW	1
2	3-100/00	ASSY, HANDLE LEVER MIX SERIES	2
	10932/00	ESCUTCHEON, HANDLE MIX SERIES	1
	10924/00	HANDLE, LEVER MIX SERIES	1
	92005	SET SCREW, CUP PT 6-32UNC THREAD 3/16"L	1
	92176	WEAR WASHER	1
	92008	SET SCREW, CUP POINT 8-32	1

E

ZONE	REV.	DESCRIPTION	DATE	APPROVED
------	------	-------------	------	----------

REVISIONS

1261 LOGAN AVENUE
COSTA MESA, CALIFORNIA 92626
PHONE: 714.361.4800
FAX: 714.617.3120

PHYLORICH®

Defining Luxury Since 1959

PROPRIETARY AND CONFIDENTIAL

THE INFORMATION CONTAINED IN THIS DRAWING IS THE SOLE PROPERTY OF RSS MANUFACTURING. ANY REPRODUCTION IN PART OR AS A WHOLE WITHOUT THE WRITTEN PERMISSION OF RSS MANUFACTURING IS PROHIBITED.

-	-	INTERPRET GEOMETRIC DIMENSIONING & TOLERANCING IN ACCORDANCE WITH ASME Y14.5-2009 & ASME Y14.41-2003 STANDARDS, UNLESS OTHERWISE SPECIFIED. DIMENSIONS ARE IN INCHES. TOLERANCES ARE:			DECK TUB SET TRIM, LEVER HANDLE, MIX SERIES			
-	-	FRACTIONS ±1/64"	DECIMALS X.X: ±.1 X.XX: ±.01 X.XXX: ±.005	ANGULAR ±5°				SIZE A
NEXT ASSY	USED ON	APPLICATION			NAME	DATE		
MATERIAL				DRAWN	CA	5/28/2013		
FINISH				CHECKED	MAF			
DO NOT SCALE DRAWING				SCALE: 1:3		WEIGHT: lbs.	SHEET 1 OF 2	

5

4

3

2

1